

PRODUCT SPECIFICATION

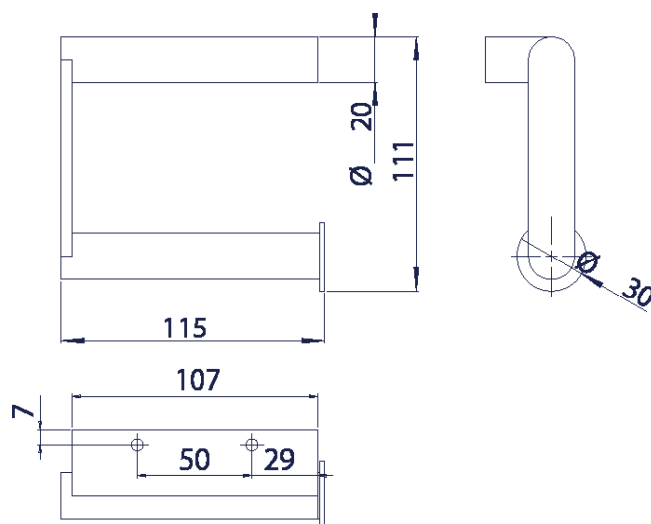
single toilet roll holder “extra strong” Serie ONE snow fall SF-385

specification text

single toilet roll holder „extra strong“, white RAL 9016, series ONE snow fall

dimensions: 115 x 111 x 40 mm.

Very strong single toilet roll holder made from machined stainless steel. For wall mounting. For toilet rolls with a maximum width of 105mm and a minimum core diameter of 20mm. Including concealed mounting system with wall plugs and stainless steel fixing screws.



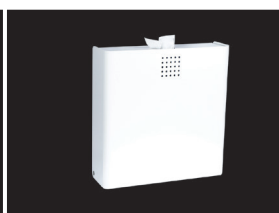
further product recommendations



spare roll holder
for 3 rolls
SF-393



toilet brush holder
SF-500



sanitary disposal bin
SF-400



bag- and clothes-hook
SF-568



paper towel dispenser
SF-100